

GWHD50 Hand Dryer

HI-SPEED ENERGY EFFICIENT HAND DRYERS

g_dwind



- 12 seconds high speed drying time
- Efficiency & Powerful operation with low noise
- Durable & Low Maintenance
- High Quality Stainless Construction
- Intelligent real time IoT monitoring system (Opt.)
- Remote washroom management



CE RoHS IPX2

GWHD50 Hand Dryer

High-Speed Energy-Efficient Hand Dryer

Goodwind GWHD50 is a high speed hand dryer equipped with an efficient and powerful motor.

GWHD50 is the highest energy efficient hand dryer utilizing only 360 Watts of motor power with a switchable 500 Watt heater.

Fast drying and lower noise – 12 seconds dry time, high intensity single port nozzle.

High Quality Stainless construction - High class Stainless brushed cover with UV coating for a strong and beautiful surface.

Easy maintenance – Modular part design for easy filed service.

Intelligent real time monitoring system (IoT)

WIFI network monitoring for usage statistics, maintenance schedule, malfunction alert with embedded WIFI solution. You can check all installed dryers through your computing device from any place. (Optional)



Specifications

Item Category	Specifications
Voltage & Frequency	110~120V / 220~240 V , 50~60 Hz
Rated Power	360 Watt / Heater 500 Watt
Standby Power	≤ 0.5 W (satisfied by blueangel)
Motor Type	22,000 rpm, brushed motor, Life time ≥ 1000 H
Air Speed	90 m/s (324 km/h)
Air Volume	92 m ³ /h (54 CFM)
Light	Blue LED for pointing air blow range
Noise level	≤ 72 dB(A) @ 1 meter
Protection Device	Auto reset safety overload against 115 °C in motor 85 °C in board
Drip Proof	IPX2
Internal Material	Heatproof PP fireproof 94VO
Internal lead wire	Temperature resistant 105 °C



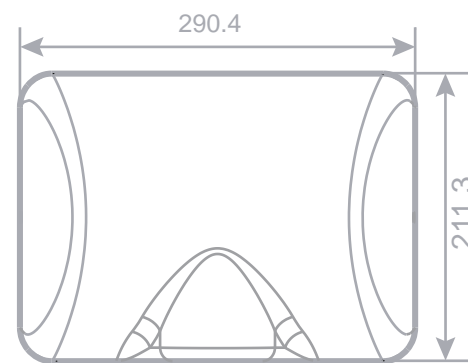
Stainless Brushed ,UV coating



Stainless, White



Stainless, Black



Packing Information

Unit weight	Gross Weight	Unit Size (mm)	Box size (mm)	Q'ty a pallet	Pallet size(m)
3 kg	3.5 kg	290x211x152	351x251x212	96 sets	1.1x1.1x1.85

